



COOK

ERV

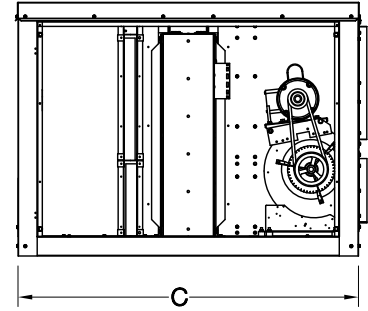
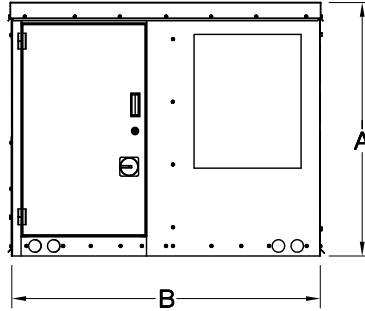
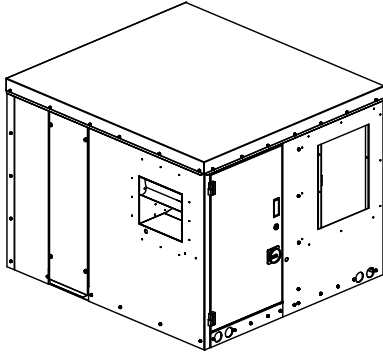
DATE: _____

PROJECT: _____

LOCATION: _____



Energy Recovery Ventilator Internal Belt Drive



DIMENSION DATA

Size	A	B	C	Wheel Dia.	*Approx Ship Wt
ERV-1500	40-1/2	49-1/4	54-1/4	28	604
ERV-2500	50	52	52	36	722
ERV-3500	59	60-1/2	64-1/2	42	990
ERV-4500	64-1/2	66-1/2	69-1/2	48	1111
ERV-5500	71	66-1/2	69-1/2	54	1235
ERV-7000	76-1/2	80	79-1/2	60	1609
ERV-8500	83	80	79-1/2	66	1734
ERV-10000	90	84-1/2	100	72	2817

All dimensions in inches. *Weight in pounds, less motors.

ACCESSORIES

- 13-1/2" HIGH ROOF CURBS
- DUCT ADAPTERS
- DUCT FLANGES FOR DISCHARGE OPENINGS
- DUCT FLANGES FOR INTAKE OPENINGS
- INTAKE WEATHERHOOD
- TIERED INTAKE WEATHERHOOD
- EXHAUST WEATHERHOOD
- LORENIZED FINISH
- GRAVITY INTAKE DAMPERS
- MOTORIZED INTAKE DAMPERS
- LOW LEAKAGE MOTORIZED INTAKE DAMPERS
- INSULATED MOTORIZED INTAKE DAMPERS
- DAMPERS FOR FIELD MOUNTING IN EXHAUST DUCTWORK
- DAMPERS FOR FIELD MOUNTING IN SUPPLY DUCTWORK
- HINGED ACCESS DOORS
- QUARTER TURN LATCHES
- DOUBLE WALL CONSTRUCTION
- SENSIBLE ONLY WHEELS
- ADJUSTABLE PURGE SECTION
- CEILING MOUNT ISOLATORS
- FIELD INSTALLED DISCONNECT SWITCHES
- DIRTY FILTER SENSOR
- ROTATION SENSOR
- ECONOMIZER MODE WITH TEMPERATURE SENSOR
- ECONOMIZER MODE WITH ENTHALPY SENSOR
- ON/OFF FROST CONTROL
- EXHAUST ONLY FROST CONTROL
- PREHEAT FROST CONTROL

STANDARD CONSTRUCTION FEATURES:

Energy recovery wheel constructed of fluted synthetic media containing water selective molecular sieve desiccant – Cassette assembly slides out for easy access and consists of energy recovery wheel, drive motor, and drive components – Removable access doors provide access to all internal components – Ventilator cabinet consisting of a minimum 18 gauge galvanized steel housing mounted to a minimum 16 gauge galvanized steel base – Cabinet internally lined with 1" thick, 3 lb. density, FSK insulation – Two DWI forward curved steel blowers mounted on vibration isolators – Blower wheel bearings rated at 200,000 hours average life – Blower wheels are factory adjusted to specified RPM – Standard size 2" thick, 30% efficient filters in supply and exhaust air streams – All electrical components pre-wired for single point power connection – Interlock disconnect on hinged control panel door

QTY	MARK	CATALOG NUMBER	ARR (H,V,C)	FAN INFORMATION								MOTOR INFORMATION				ACCESSORIES				
				SUPPLY				EXHAUST				SUP. HP	EXH. HP	VOLTS	HZ		PH	TYPE		
				CFM	EFF	SP	RPM	CFM	EFF	SP	RPM									