

# SUBMITTAL SHEET

LPWA Architectural Series Wall Heater  
 1500 to 4500 Watts  
 120, 208, 240, 277 Volts



DATE: \_\_\_\_\_

JOB NAME: \_\_\_\_\_

LOCATION: \_\_\_\_\_

ARCHITECT: \_\_\_\_\_

ENGINEER: \_\_\_\_\_

CONTRACTOR: \_\_\_\_\_

SUBMITTED BY: \_\_\_\_\_

SELECTION								
ITEM	QTY	CATALOG NUMBER	TAG	WATTS	VOLTS	PHASE $\phi$	AMPS	AVAILABLE CONTROLS

ACCESSORIES AND CONTROLS				
ITEM	QTY	CATALOG NUMBER	TAG	DESCRIPTION

### Ordering Information

\*Add suffix -BZ for bronze, -B for black

	MODEL	UPC	COLOR	VOLTS	WATTS	AMPS	SHIP WEIGHT lbs
<b>120V</b>	LPWA1222-TP-G	33046	Silver	120	1250•1500•1750•2000•2250	18.7	24
	LPWA1222-TP-W	33058	White	120	1250•1500•1750•2000•2250	18.7	24
	LPWA1222-S-TP-G	33052	Silver	120	1250•1500•1750•2000•2250	18.7	24
	LPWA1222-S-TP-W	33064	White	120	1250•1500•1750•2000•2250	18.7	24
<b>208V</b>	LPWA2045-TP-G	18245	Silver	208	2250•2750•3000•3250•3500•3750•4000•4500	21.6	24
	LPWA2045-TP-W	18247	White	208	2250•2750•3000•3250•3500•3750•4000•4500	21.6	24
	LPWA2045-S-TP-G	18241	Silver	208	2250•2750•3000•3250•3500•3750•4000•4500	21.6	24
	LPWA2045-S-TP-W	18339	White	208	2250•2750•3000•3250•3500•3750•4000•4500	21.6	24
<b>240V</b>	LPWA2445-TP-G	18191	Silver	*240/208	2250•2750•3000•3250•3500•3750•4000•4500	18.7	24
	LPWA2445-TP-W	18178	White	*240/208	2250•2750•3000•3250•3500•3750•4000•4500	18.7	24
	LPWA2445-S-TP-G	32962	Silver	*240/208	2250•2750•3000•3250•3500•3750•4000•4500	18.7	24
	LPWA2445-S-TP-W	32973	White	*240/208	2250•2750•3000•3250•3500•3750•4000•4500	18.7	24
<b>277V</b>	LPWA2740-TP-G	18199	Silver	277	2000•3000•4000	14.4	24
	LPWA2740-TP-W	20921	White	277	2000•3000•4000	14.4	24
	LPWA2740-S-TP-G	18185	Silver	277	2000•3000•4000	14.4	24
	LPWA2740-S-TP-W	33019	White	277	2000•3000•4000	14.4	24

\*Dual rated heaters will draw 13% less amps and 25% less wattage when operated at 208V.

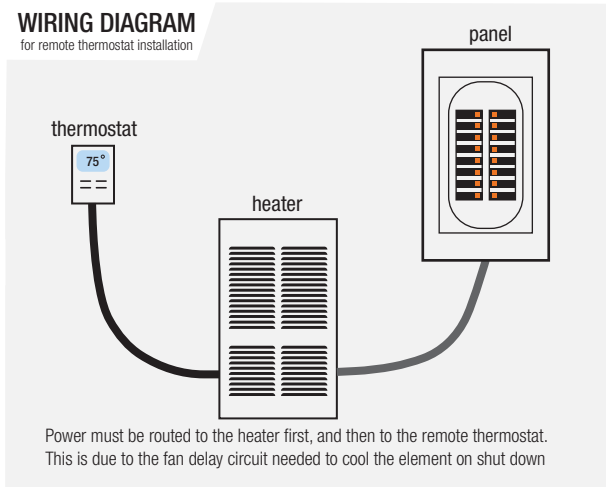
### Options

ADD SUFFIX	DESCRIPTION	WEIGHT lbs
-B	Grill - Black	24
-BZ	Grill - Bronze	24
-W	Grill - White	24
-G	Grill - Silver	24
-CT24	Transformer that converts 208, 240 and 277 Volts to 24 Volt Control Remote Circuit	24.5
-HLR	Heat Lock Out Relay for BMS Systems	0
-S	Surface Can Included	24
-TP	Factory Installed Tamper-proof Thermostat	24
-CB2	20 Amp Double Pole Circuit Breaker / Disconnect (277V Models Only)	0.5
-CB3	30 Amp Double Pole Circuit Breaker / Disconnect	0.5

### Accessories

MODEL	UPC	DESCRIPTION	WEIGHT lbs
LPWAIC	18200	Architectural Recess Wall Can	6.5
LPWASA-B	17345	Surface Can Black	5
LPWASA-BZ	18202	Surface Can Bronze	5
LPWASA-G	18197	Surface Can Silver (Standard)	5
LPWASA-W	18201	Surface Can White	5
LPWAG-G	18158	LPWA Series Grill - Silver	7
LPWA-TP	18140	Tamper-proof Thermostat Replacement	2

#### WIRING DIAGRAM for remote thermostat installation



#### Colors

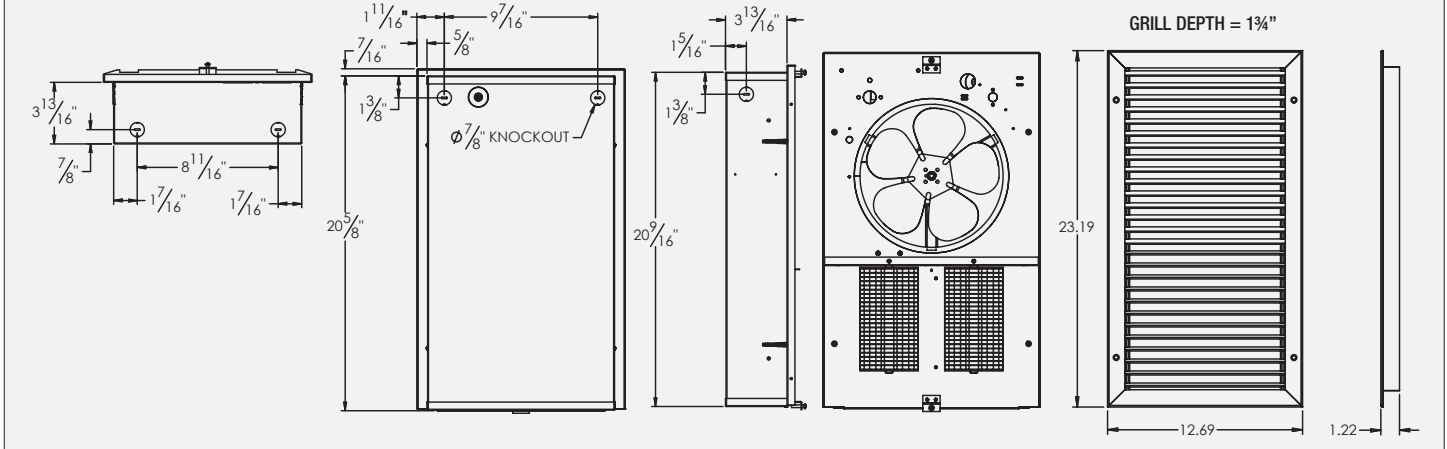
##### Standard





## Dimensional Data

**MINIMUM CLEARANCE:** Zero clearance to insulation recommended 10" above floor 6" from adjacent wall surface



## Options

### Engineering Specifications

Contractor shall supply and install LPWA Series in-wall mounted forced-air electric heaters manufactured by King Electrical Mfg. Company, of the wattage and voltage as indicated on the plans

**Grill:** Heavy duty extruded 12 gauge aluminum provides high impact resistance to damage. Grill is attached with tamper-proof screws (hex socket/pinned). All controls are easily accessed through grill with slotted screwdriver. Standard color is anodized silver. Dark bronze or white is available.

**Elements:** Element assemblies shall consist of three steel sheathed heating tubes in a furnace-brazed, plate-finned, block design. Each sheathed tube shall contain coiled Ni-Chrome wire, embedded in an insulator of Magnesium Oxide. The element assembly shall provide up to eight (8) possible wattage configurations available for selection during field installation. The use of external resistors, diodes, or other weak links to obtain multiple wattages will not be accepted.

**Tamper Proof:** Single Pole factory installed hydraulic capillary tube with precision control. Operating range 40°F to 90°F. Thermostat is

tamper-proof to prevent unauthorized adjustment.

**Fan / Heat / Off Switch:** Tamper-proof 3-position switch provides heating and summer fan-only operation. The DPST off switch provides a "positive off" that disconnects all ungrounded conductors. Controls are easily accessed through grill with slotted screwdriver.

**Thermal Overload:** Heaters shall be equipped with King's patented thermal overload Smart Limit Protection®, which disconnects elements and motor in the event normal operating temperatures are exceeded. If thermal overload trips due

to abnormal operating temperatures, thermal overload shall remain open until manually reset by turning the heater off for 15 minutes.

**Fan Delay Switch:** The fan continues to operate after the thermostat shuts off in order to remove the residual heat left in the elements.