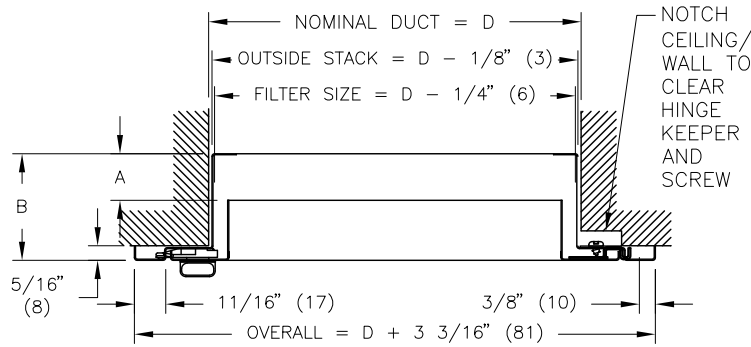
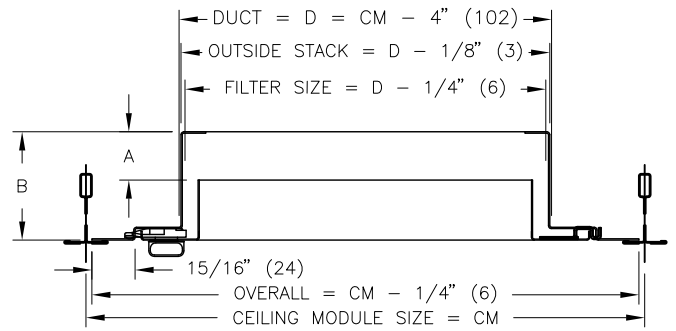


**10FF STEEL FILTER GRILLES**

**MOUNTING/FASTENING:**



**SM - SURFACE MOUNT**



**TB - 15/16" T-BAR LAY-IN**

**FILTER SIZE:**

- 1"** - FILTER FRAME ACCEPTS 1" FILTER
- 2"** - FILTER FRAME ACCEPTS 2" FILTER

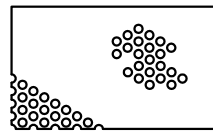
**DIMENSIONING SCHEDULE**

FILTER SIZE	A	B
1"	1" (25)	2 <sup>5</sup> / <sub>16</sub> " (59)
2"	2" (51)	3 <sup>5</sup> / <sub>16</sub> " (85)

**HINGE ORIENTATION:**

- HL** - HINGE TABS ARE PARALLEL TO LONG DIMENSION
- HS** - HINGE TABS ARE PARALLEL TO SHORT DIMENSION
- QR** - 1/4 TURN FASTENERS ONLY

**PERFORATED STEEL**



HOLES ARE STAGGERED  
3/16" (5) DIA. X 1/4" (6) O/C @ 60°

**NOTE:**

FOR SIDEWALL INSTALLATION, HINGE TABS MUST BE AT TOP.

**MATERIAL:**

- STEEL CONSTRUCTION

**FINISHES:**

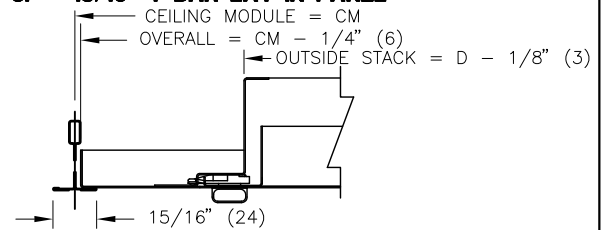
- B12 WHITE (OPTIONAL FINISHES AVAILABLE)

**NOTES:**

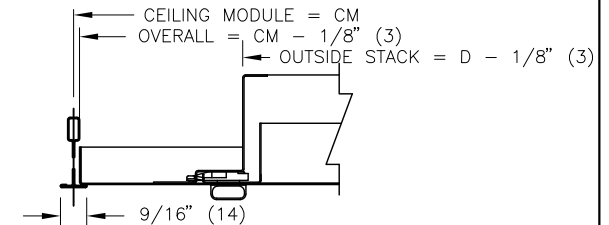
- SURFACE MOUNT: (LISTED SIZES ARE THE NOMINAL DUCT SIZES)  
MIN. SIZE - 8" x 4" (203 x 102)  
MAX. SIZE - 48" x 24" (1219 x 610)
- T-BAR LAY-IN MOUNT: (LISTED SIZES ARE THE CEILING MODULE SIZES)  
12" x 12" (305 x 305)  
24" x 12" (610 x 305)  
24" x 24" (610 x 610)  
48" x 24" (1219 x 610)
- 3P, 916P & 17P T-BAR LAY-IN PANEL MOUNTED :  
CEILING MODULE: 24" x 24" (610 x 610)  
INLET SIZE: MIN. 6" x 6" (152 x 152), MAX. 18" x 18" (457 x 457)  
CEILING MODULE: 48" x 24" (1219 x 610)  
INLET SIZE: MIN. 6" x 6" (152 x 152), MAX. 42" x 18" (1067 x 457)
- MOUNTING HOLES IN FILTER FRAME BY INSTALLER.
- QUARTER TURN FASTENER LOCATION PER FACTORY STANDARD.
- FILTER MEDIA SUPPLIED BY OTHERS

ALL METRIC DIMENSIONS ( ) ARE SOFT CONVERTED. IMPERIAL DIMENSIONS ARE CONVERTED TO METRIC AND ROUNDED TO THE NEAREST MILLIMETER.

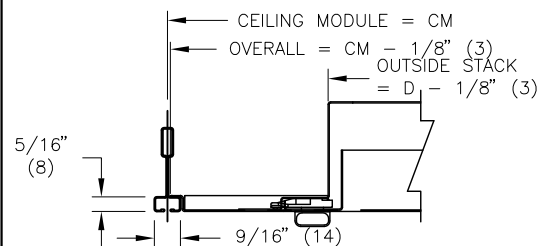
**3P - 15/16" T-BAR LAY-IN PANEL**



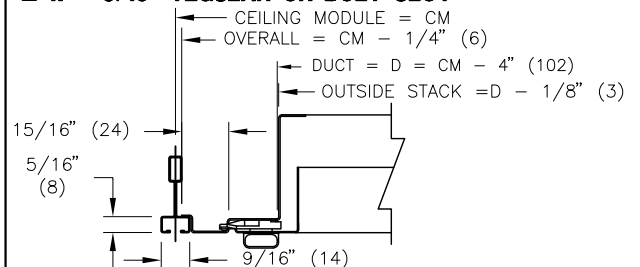
**916P - 9/16" T-BAR LAY-IN PANEL**



**17P - 9/16" TEGULAR OR BOLT SLOT T-BAR PANEL**



**17 - 9/16" TEGULAR OR BOLT SLOT**



**PROJECT:**

**ENGINEER:**

**CUSTOMER:**

**SUBMITTAL DATE:**

**SPEC. SYMBOL:**

**PRICE®**

*MJ*

259493

2018/03/12

**10FF**  
FERF. FACE  
FILTER GRILLES