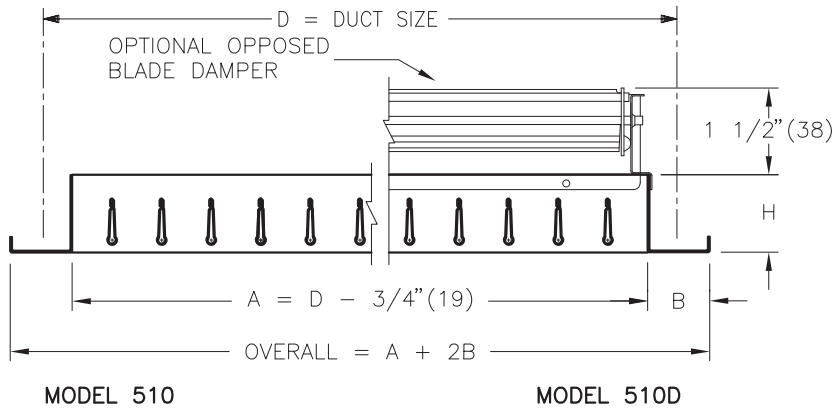


500 SUPPLY GRILLES & REGISTERS



MATERIAL:

- STEEL CONSTRUCTION

FINISH:

- B12 WHITE
(OPTIONAL FINISHES AVAILABLE)

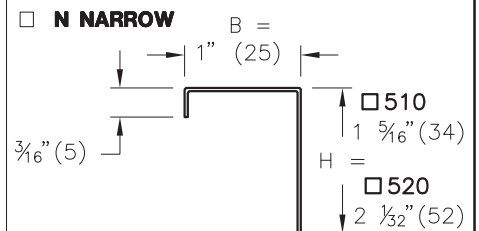
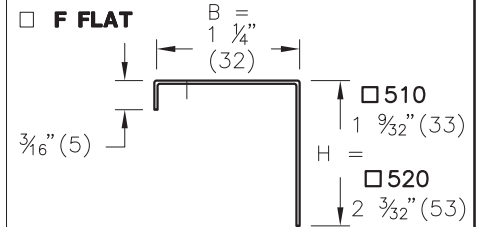
OPTION:

- C/W COATED STEEL OPPOSED BLADE DAMPER (SPECIFY 510D OR 520D)
- IS - INSECT SCREEN, 18/16 MESH (NOT RECOMMENDED WITH OPTIONAL OPPOSED BLADE DAMPER)

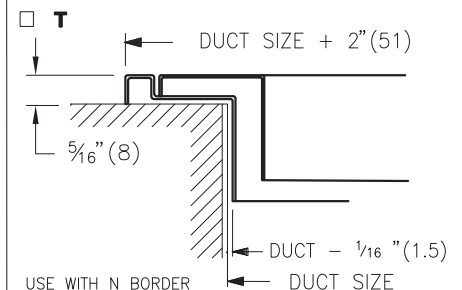
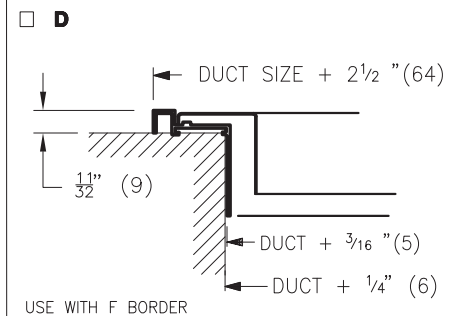
NOTE:

- STANDARD CONSTRUCTION WITH A MULLION: A MULLION IS PROVIDED WHEN NOMINAL SIZE GRILLE DIMENSIONS EXCEED 24" (610) FOR UNEVEN NOMINAL SIZE GRILLE DIMENSIONS EG. 45X6, THE MULLION IS POSITIONED 1/2" (12) FROM THE CENTRE OF THE GRILLE.
- INDIVIDUALLY ADJUSTABLE BLADES
- TYPE A FASTENING - COUNTERSUNK SCREWHOLE FOR NO.8 S.M.S. PER FACTORY STANDARD (SCREWS SUPPLIED)
- AVAILABLE SIZES :
MIN. - 6" X 4" (152 X 102)
MAX. - 48" X 48" (1219 X 1219)
(ONE PIECE CONSTRUCTION)
- OVERSIZE UNITS AVAILABLE C/W NARROW FLANGE OR DUCT CHANNEL
- BLADE ORIENTATION - FRONT SET
- L = PARALLEL TO LONG DIMENSION
- S = PARALLEL TO SHORT DIMENSION

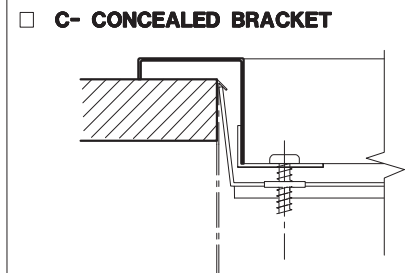
BORDERS:



MOUNTING FRAMES:

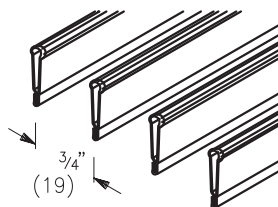


FASTENING:

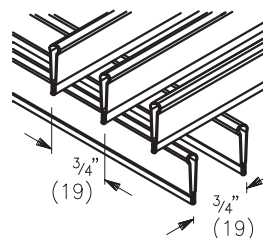


CORE STYLES:

- 510/L
- 510/S



- 520/L
- 520/S



ALL METRIC DIMENSIONS () ARE SOFT CONVERTED. IMPERIAL DIMENSIONS ARE CONVERTED TO METRIC AND ROUNDED TO THE NEAREST MILLIMETER.

PROJECT:

ENGINEER:

CUSTOMER:

SUBMITTAL DATE:

SPEC. SYMBOL:

PRICE[®]

RV

219693

2012/03/28

510/520
STEEL SUPPLY
GRILLES & REGISTERS