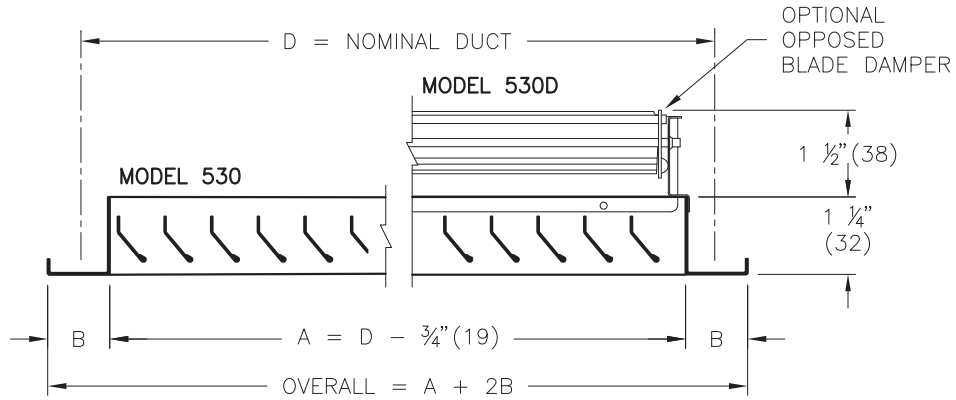


**500 RETURN GRILLES & REGISTERS**



**MATERIAL:**

- STEEL CONSTRUCTION

**FINISH:**

- B12 WHITE (OPTIONAL FINISHES AVAILABLE)

**OPTION:**

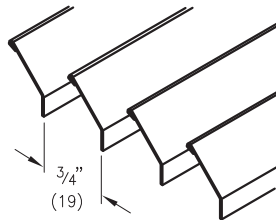
- C/W COATED STEEL OPPOSED BLADE DAMPER (SPECIFY 530D OR 535D)
- IS - INSECT SCREEN, 18/16 MESH (NOT AVAILABLE WITH OPTIONAL OPPOSED BLADE DAMPER)

**NOTE:**

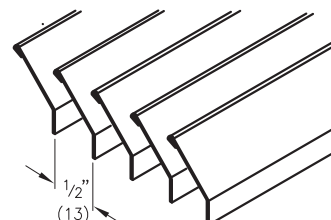
- TYPE A FASTENING - COUNTERSUNK SCREWHOLES FOR NO.8 S.M.S. PER FACTORY STANDARD (SCREWS SUPPLIED)
- TYPE C FASTENING - CONCEALED FASTENING (N/A WITH 535)
- AVAILABLE SIZES :  
MIN. - 6" X 4" (152 X 102)  
MAX. - 48" X 48" (1219 X 1219)  
(ONE PIECE CONSTRUCTION)
- OVERSIZE UNITS AVAILABLE C/W DUCT MOUNTING CHANNEL
- BLADE ORIENTATION - FRONT SET  
- L = PARALLEL TO LONG DIMENSION  
- S = PARALLEL TO SHORT DIMENSION

**CORE STYLES:**

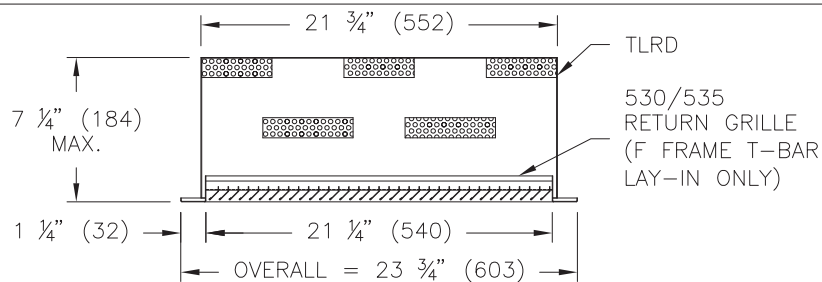
**530**



**535**



**TLRD OPTION (ORDERED AS SPECIAL)  
(NOM. DUCT SIZE 22" X 22" ONLY)**



ALL METRIC DIMENSIONS ( ) ARE SOFT CONVERTED. IMPERIAL DIMENSIONS ARE CONVERTED TO METRIC AND ROUNDED TO THE NEAREST MILLIMETER.

**PROJECT:**



**ENGINEER:**

*MG*

**530/535**

**CUSTOMER:**

219695

STEEL RETURN GRILLES & REGISTERS

**SUBMITTAL DATE:**

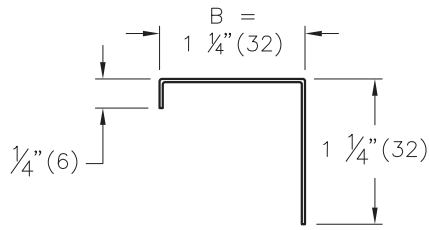
**SPEC. SYMBOL:**

2014/05/23

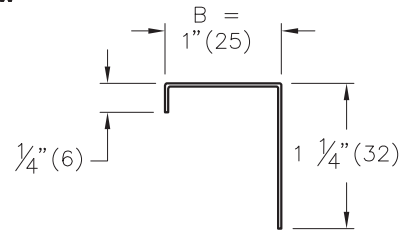
**500 RETURN GRILLES & REGISTERS MOUNTING OPTION AND BORDERS**

**BORDERS:**

**F FLAT**

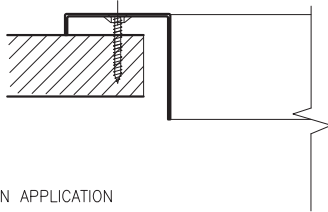


**N NARROW**



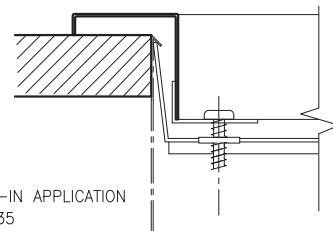
**FASTENING:**

**A- COUNTER SUNK SCREW**



N/A TO LAY-IN APPLICATION

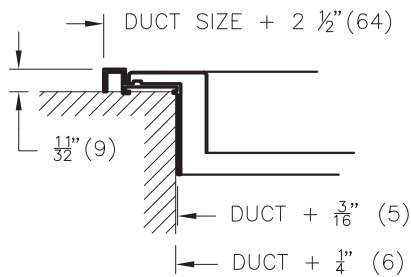
**C- CONCEALED BRACKET**



N/A TO LAY-IN APPLICATION  
N/A WITH 535

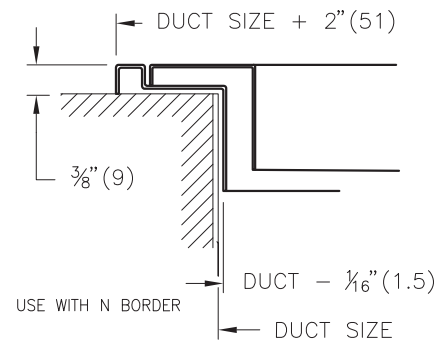
**MOUNTING FRAMES:**

**D**



USE WITH F BORDER

**T**



USE WITH N BORDER

ALL METRIC DIMENSIONS ( ) ARE SOFT CONVERTED. IMPERIAL DIMENSIONS ARE CONVERTED TO METRIC AND ROUNDED TO THE NEAREST MILLIMETER.

**PROJECT:**



**ENGINEER:**

*MG*

**530/535**

**CUSTOMER:**

219695

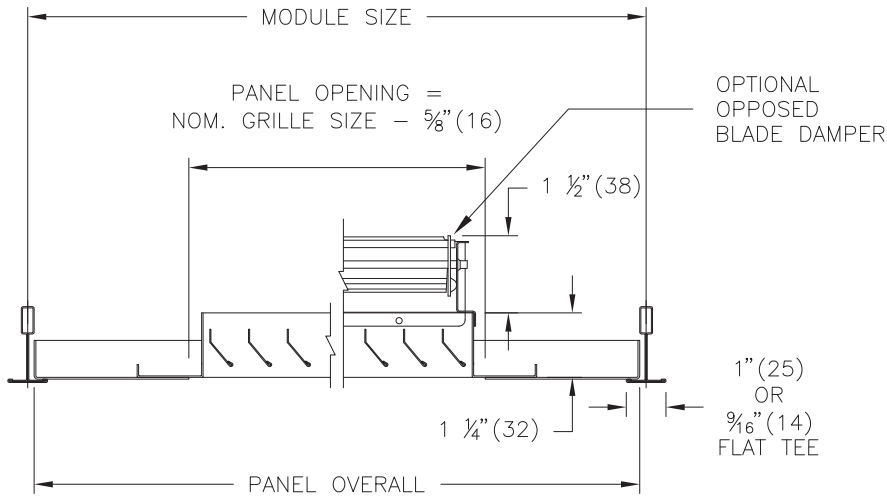
STEEL RETURN GRILLES & REGISTERS

**SUBMITTAL DATE:**

**SPEC. SYMBOL:**

2014/05/23

**500 SERIES PANEL MOUNTED RETURN AIR GRILLE**



**MATERIAL:**

- GRILLE: STEEL CONSTRUCTION
- PANEL: STEEL CONSTRUCTION

**FINISH:**

- FINISH OF PANEL TO MATCH GRILLE FINISH
- B12 WHITE (OPTIONAL FINISHES AVAILABLE)

**OPTION:**

- 530D OR 535D c/w COATED STEEL OPPOSED BLADE DAMPER

**NOTES:**

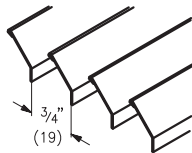
- MODULE SIZE AND NOM. GRILLE SIZE MUST BE SPECIFIED

NOMINAL MODULE SIZES	MAXIMUM GRILLE SIZES
12" x 12" - 300mm x 300mm	8" x 8"
24" x 12" - 600mm x 300mm	20" x 8"
24" x 24" - 600mm x 600mm	20" x 20"
48" x 24" - 1200mm x 600mm	44" x 20"

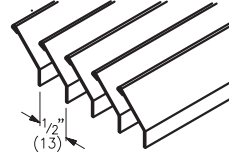
- FACTORY TOLERANCE  $\pm 1/32$ " (1)

**CORE STYLES:**

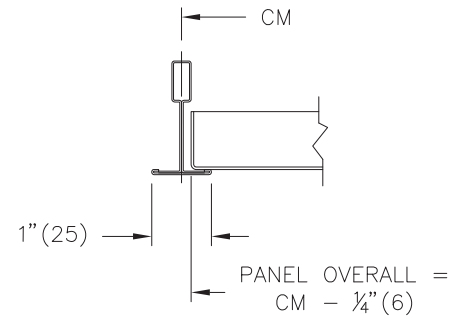
**530**



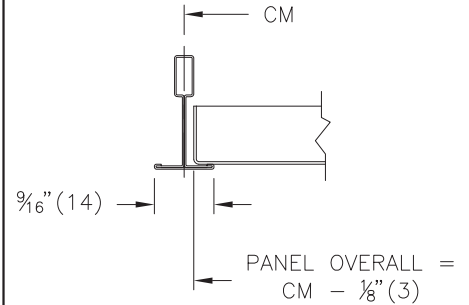
**535**



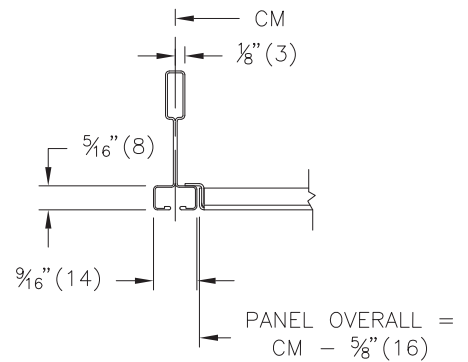
**3P T-BAR**



**916P T-BAR**



**17P FINELINE T-BAR**



ALL METRIC DIMENSIONS ( ) ARE SOFT CONVERTED. IMPERIAL DIMENSIONS ARE CONVERTED TO METRIC AND ROUNDED TO THE NEAREST MILLIMETER.

**PROJECT:**

**ENGINEER:**

**CUSTOMER:**

**SUBMITTAL DATE:**

**SPEC. SYMBOL:**



*Signature*

219695

2014/05/23

**530/535**  
STEEL RETURN  
GRILLES & REGISTERS