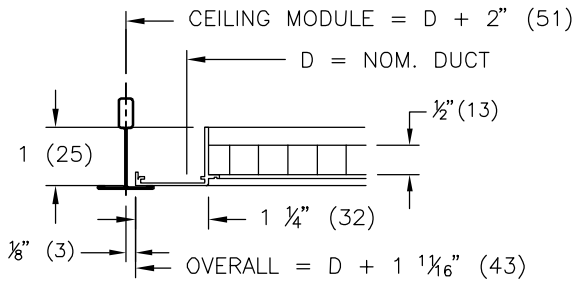
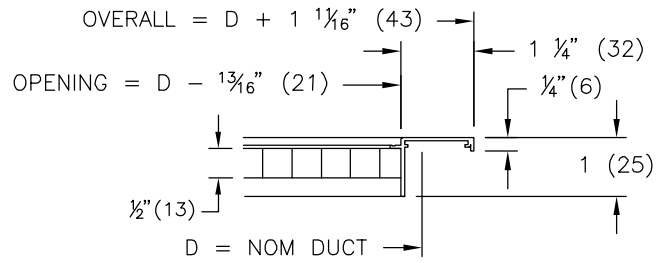


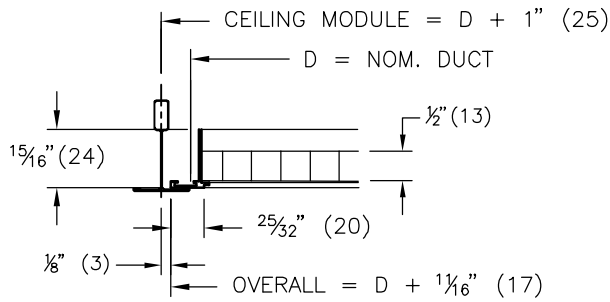
80 RETURN GRILLES & REGISTERS



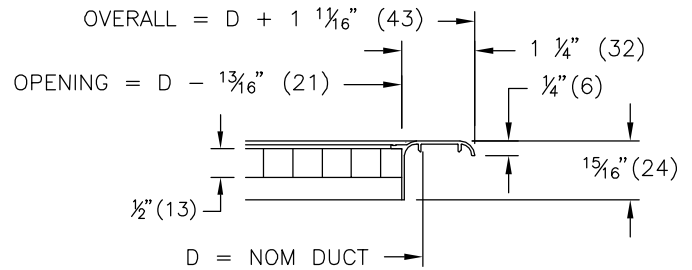
F - FLAT FACE BORDER (T-BAR LAYIN)



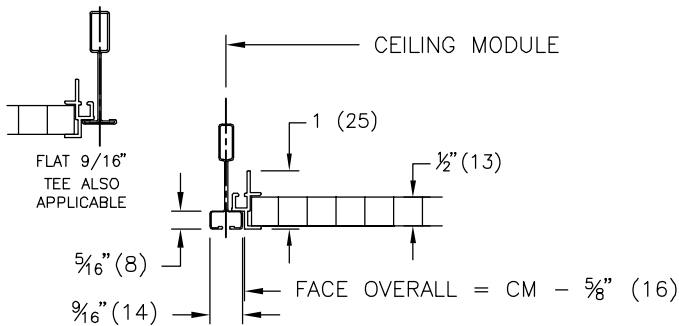
F - FLAT FACE BORDER (SURFACE MOUNT)



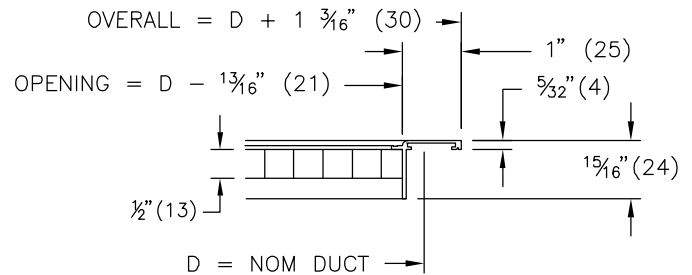
NF - NARROW FACE BORDER (T-BAR LAYIN)



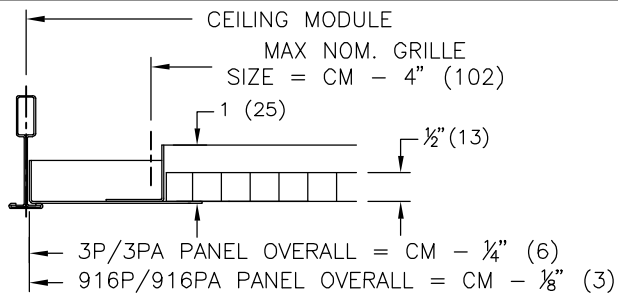
C - CURVED FACE BORDER (SURFACE MOUNT)



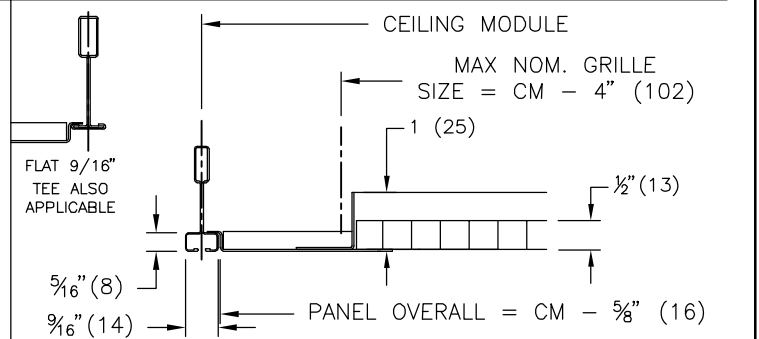
17 - 9/16\"/>



N - NARROW FLAT FACE BORDER (SURFACE MOUNT)



- 3P - STEEL PANEL FOR 1\"/>**



- 17P - STEEL PANEL, 9/16\"/>**

ALL METRIC DIMENSIONS () ARE SOFT CONVERTED. IMPERIAL DIMENSIONS ARE CONVERTED TO METRIC AND ROUNDED TO THE NEAREST MILLIMETER.

PROJECT:	
ENGINEER:	
CUSTOMER:	
SUBMITTAL DATE:	SPEC. SYMBOL:

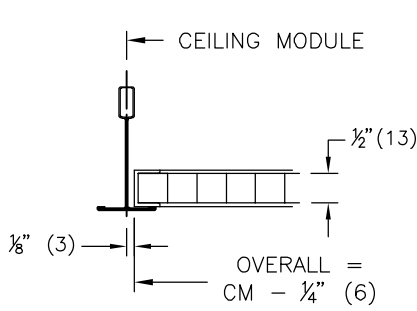
PRICE®

MJ

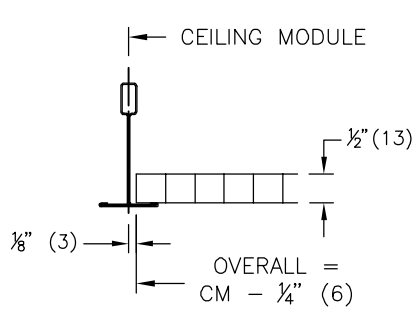
80 SERIES
ALUMINUM RETURN
GRILLES & REGISTERS

222015

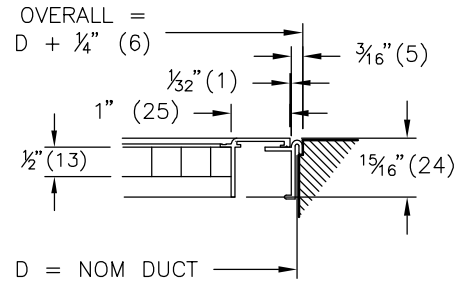
2015/12/03



CH - CHANNEL BORDER (T-BAR LAYIN)



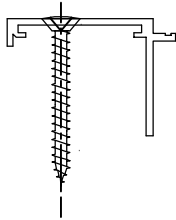
CORE - CORE ONLY (T-BAR LAYIN)



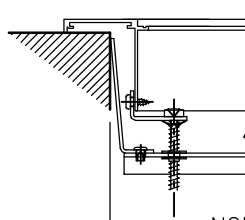
ED APPLICATION IS SUPPLIED COMPLETE WITH BORDER AND DUCT MOUNTING FRAME REQUIRES SELECTION OF TYPE 'H' OR TYPE 'C' MOUNTING

ED - EXPOSED DUCT BORDER

FASTENING

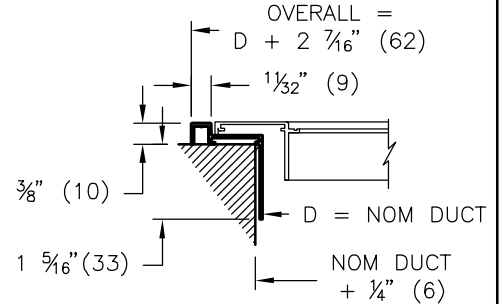


- A - COUNTER SUNK SCREW**
- H - STRAIGHT SCREW HOLES (ED FRAME ONLY)**



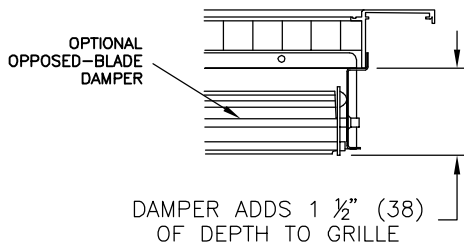
- C - CONCEALED MOUNTING BRACKET**
NOT AVAILABLE FOR MRI APPLICATIONS

MOUNTING FRAME



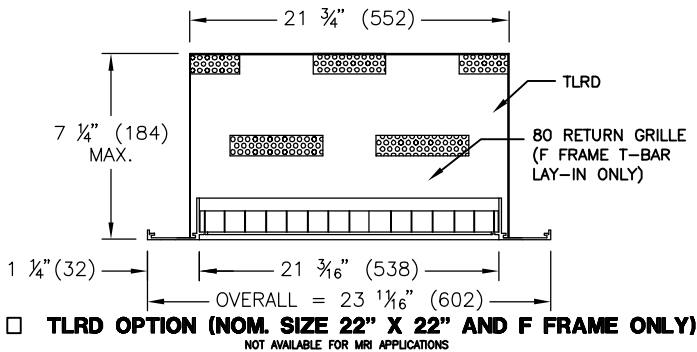
- D (FOR F FRAME ONLY)**
NOT AVAILABLE FOR MRI APPLICATIONS

OPPOSED BLADE DAMPER



- VCS3 - COATED STEEL OPPOSED BLADE DAMPER**
- VCS3AL - ALUMINUM OPPOSED BLADE DAMPER**

THIN LINE RETURN DISSIPATER



- TLRD OPTION (NOM. SIZE 22\"/>**

ALL METRIC DIMENSIONS () ARE SOFT CONVERTED. IMPERIAL DIMENSIONS ARE CONVERTED TO METRIC AND ROUNDED TO THE NEAREST MILLIMETER.

FINISH:

- B12 WHITE (OPTIONAL FINISHES AVAILABLE)

MATERIAL:

- GRILLE - ALUMINUM CONSTRUCTION
- PANEL - STEEL CONSTRUCTION (3P, 916P & 17P)
- ALUMINUM CONSTRUCTION (3PA, 916PA & 17PA)

NOTES:

- AVAILABLE SIZES:
MINIMUM - 6" X 4" (152 X 102)
MAXIMUM WITHOUT MULLION - 48" X 24" (1219 X 610)
MAXIMUM WITH MULLION - 96" X 48" (2438 X 1219)
- UNITS WITH MULLION SUPPLIED IN ONE-PIECE FRAME CONSTRUCTION
- UNITS OVER 96" X 48" (2438 X 1219) SUPPLIED IN SECTIONS c/w DUCT MOUNTING CHANNEL
- CH (CHANNEL FRAME) UNITS OVER 48" X 24" (1219 X 610) SUPPLIED IN MULTIPLE SECTIONS
- CORE ONLY & 17 FRAME MAX 48" X 24" (1219 X 610)
- FACTORY TOLERANCE ± 1/32" (1)

PANEL SIZES:

- MODULE SIZE AND NOM. GRILLE SIZE MUST BE SPECIFIED

NOMINAL MODULE SIZES	MAXIMUM GRILLE SIZES
12" x 12" - 300mm x 300mm	8" x 8"
24" x 12" - 600mm x 300mm	20" x 8"
24" x 24" - 600mm x 600mm	20" x 20"
48" x 24" - 1200mm x 600mm	44" x 20"

OPTIONAL:

- MRI - ALUMINUM CONSTRUCTION FOR MRI APPLICATIONS. F, 17, CH, CORE FRAMES ONLY. NOT AVAILABLE W/ DAMPER. MAXIMUM SIZE = 24" X 24" (610 X 610)

PROJECT:

ENGINEER:

CUSTOMER:

SUBMITTAL DATE:

SPEC. SYMBOL:



MG
222015

80 SERIES
ALUMINUM RETURN
GRILLES & REGISTERS

2015/12/03