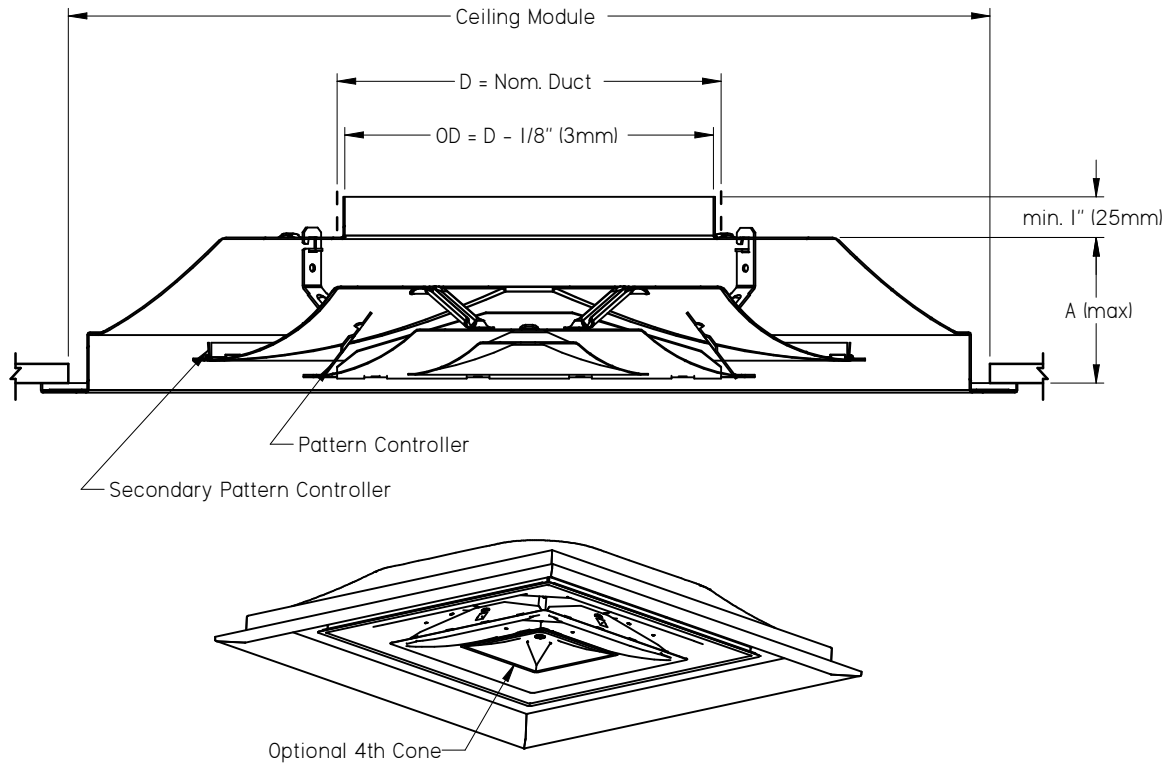


SCDA, ASCDA Adjustable Square Cone Diffuser



STANDARD CONSTRUCTION:

- SCDA - Steel construction
- ASCDA - Aluminum construction

DAMPERS:

- VCR7 - Radial opposed blade steel damper (N/A with 4", 5", or 7" inlets)
- VCR8 - Full Flow duct mounted steel damper
- VCR8E - Full Flow diffuser mounted steel damper
- VCR9 - Radial diffuser mounted steel damper (N/A with 4", 5", 7", or 15" inlets)

SB - SECTORIZING BAFFLE:

- Steel construction -
 - 90 - 3 Way pattern
 - 180 - 2 Way pattern
 - 270 - 1 Way pattern (N/A if a damper is selected)

FINISH:

- B12 White (Optional Finishes Available)

OPTIONS:

- BN - Beaded Inlet Neck with extended depth (2 1/2" (64mm)). Not available on ASCDA
- FC - Fixed core is available only for 24"x24" & 600mm x 600mm styles 3 only. For surface mount installation use of plaster frame is recommended.
- RC - Removable core is available for all sizes and styles
- 4C - 4th cone (24"x24" and 600mm x 600mm units only)
- MRI - aluminum construction. Available for ASCDA 24"x24" & 600mm x 600mm, styles 1 & 3 only. Not available with 4th cone, dampers, or sectorizing baffle options.



NOTES:

- Factory tolerance ± 1/32"(1mm)
- Dimension B varies with inlet size
- Secondary pattern controllers apply to certain inlet sizes only
- Dampers and sectorizing baffles ship loose

Ceiling Module	A	B	Duct Size											
			4"	5"	6"	7"	8"	10"	12"	14"	15"			
12" x 12"	1 3/4"	13 7/16"	•	•	•	•	•							
20" x 20"	2 7/8"	21 5/8"			•		•	•						
24" x 24"	3 3/4"	25 7/16"			•		•	•	•	•	•	•	•	•
300mm x 300mm	44mm	341mm	•	•	•	•	•							
500mm x 500mm	73mm	549mm			•		•	•						
600mm x 600mm	95mm	646mm			•		•	•	•	•	•	•	•	•

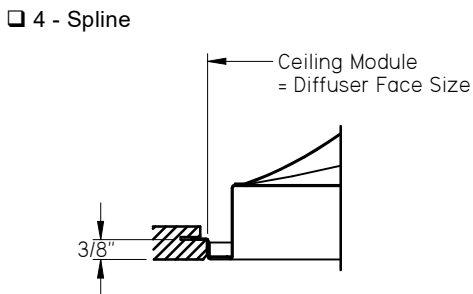
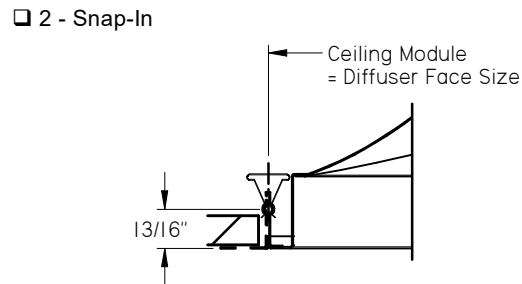
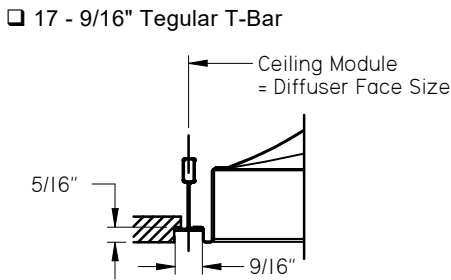
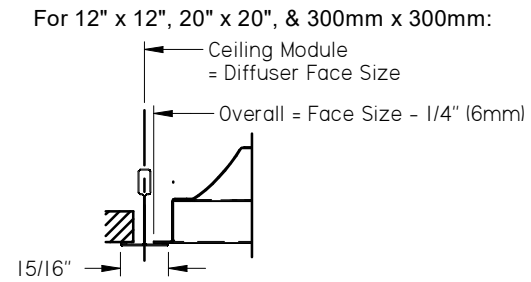
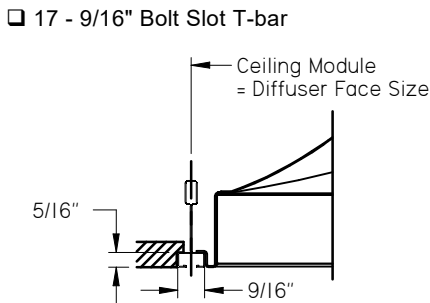
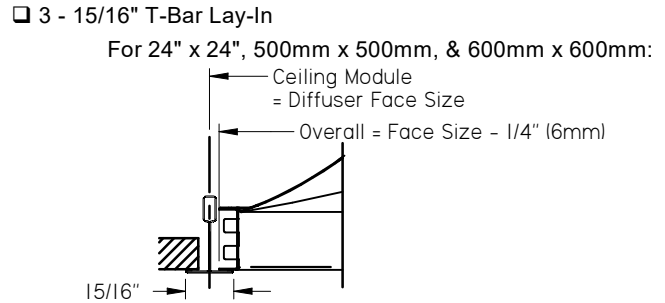
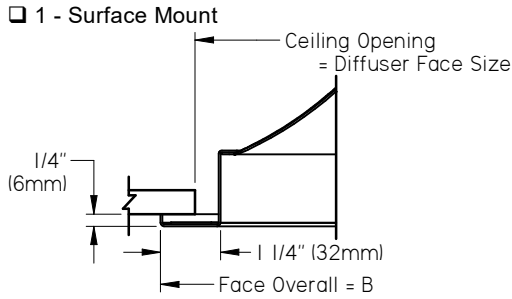
• indicates available inlet size

ALL METRIC DIMENSIONS () ARE SOFT CONVERTED. IMPERIAL DIMENSIONS ARE CONVERTED TO METRIC AND ROUNDED TO THE NEAREST MILLIMETER.

PROJECT:		
ENGINEER:		
CUSTOMER:		 218779
SUBMITTAL DATE:		2020-02-11
SPEC. SYMBOL:		

SCDA, ASCDA Adjustable Square Cone Diffuser


Lay-In & Surface Mount Frames:



Notes:

- ASCDA available with style 1 & 3 only
- 20" x 20" & 500mm x 500mm available in styles 1 & 3 only
- For 9/16" flat tee installation use style 3 with adaptor clips from ceiling supplier, or order 916 clips separately

ALL METRIC DIMENSIONS () ARE SOFT CONVERTED. IMPERIAL DIMENSIONS ARE CONVERTED TO METRIC AND ROUNDED TO THE NEAREST MILLIMETER.

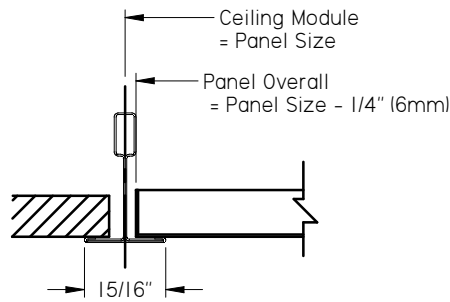
PROJECT:		PRICE
ENGINEER:		
CUSTOMER:		 218779
SUBMITTAL DATE:	SPEC. SYMBOL:	2020-02-11

SCDA / ASCDA
ADJUSTABLE
SQUARE CONE DIFFUSER

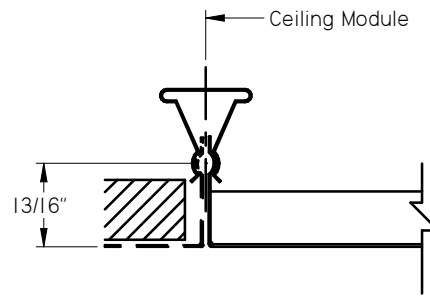
SCDA, ASCDA Adjustable Square Cone Diffuser

Lay-in Panels: Available in SCDA only

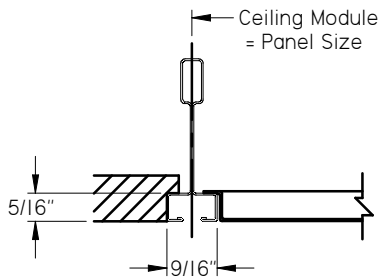
3P - 15/16" T-Bar Lay-In



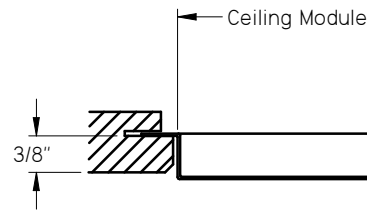
2P - Snap-In



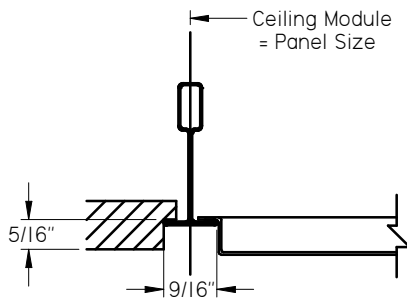
17P - 9/16" Bolt Slot T-bar



4P - Spline



17P - 9/16" T-Bar



PANEL SIZE:

12" x 12" face size:

- 24" x 12" panel
- 16" x 16" panel
- 20" x 20" panel
- 24" x 24" panel
- 48" x 12" panel

24" x 24" face size:

- 30" x 30" panel
- 48" x 24" panel

300mm x 300mm face size:

- 600mm x 300mm panel
- 400mm x 400mm panel
- 500mm x 500mm panel
- 600mm x 600mm panel
- 1200mm x 300mm panel

600mm x 600mm face size:

- 750mm x 750mm panel
- 1200mm x 600mm panel

ALL METRIC DIMENSIONS () ARE SOFT CONVERTED. IMPERIAL DIMENSIONS ARE CONVERTED TO METRIC AND ROUNDED TO THE NEAREST MILLIMETER.

PROJECT:

ENGINEER:

CUSTOMER:

SUBMITTAL DATE:

SPEC. SYMBOL:



MG
218779

SCDA / ASCDA
ADJUSTABLE
SQUARE CONE DIFFUSER

2020-02-11