








■ Model Feature Comparison

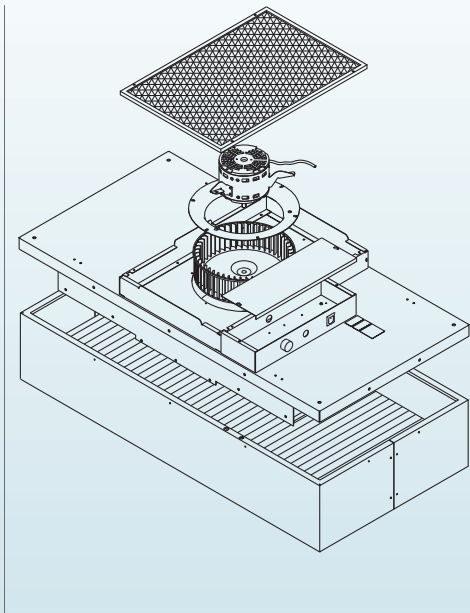
MODEL	Original AC	LEAC	LEAC2	IQ	IQ LAF	LEDC	LEDC 4x4
							
	THE FIRST	THE HIGH FLOW	THE NEWEST	THE CONSTANT	THE LOW FLOW	THE ENERGY SAVER	THE LARGEST
Size	2x4, 2x3, 2x3.5, 2x2	2x4	2x4, 2x3, 2x2	2x4, 2x3, 2x3.5, 2x2	2x4, 2x3, 2x3.5, 2x2	2x4, 2x3, 2x3.5, 2x2	4x4
Motor Type	AC	AC	AC	ECM	ECM	ECM	ECM
Motor Feature	Standard Airflow	High Airflow	Standard Airflow	Constant CFM / RPM Feedback	Torque Programming / RPM Feedback	High Airflow / RPM Feedback	High Airflow / RPM Feedback
Blower Type	Forward Curve	Backward Curve	Backward Curve	Forward Curve	Forward Curve	Backward Curve	Backward Curve
Standard Control Option (* See Notes)	3 Speed Switch, SSSC*, Modbus (ENAC)	3 Speed Switch	Variable Speed Switch	UCC, IR*	UCC, IR*	UCC, IR*	UCC*
Voltage	115/60Hz, 208-240/50-60Hz, 277/60Hz	115/60Hz, 208-240/50-60Hz, 277/60Hz	115/60Hz, 208-240/50-60Hz, 277/60Hz	115/60Hz, 208-240/50-60Hz, 277/60Hz	115/60Hz, 208-240/50-60Hz, 277/60Hz	115/60Hz, 208-240/50-60Hz, 277/60Hz	115/60Hz, 208-240/50-60Hz, 277/60Hz
Sound	Dependent on Airflow / External Static Pressure	Dependent on Airflow / External Static Pressure	Dependent on Airflow / External Static Pressure	Dependent on Airflow / External Static Pressure	Low	Dependent on Airflow / External Static Pressure	Dependent on Airflow / External Static Pressure
Velocity	90 FPM	90 FPM or Higher	90 FPM	90 FPM	90 FPM	90 FPM or Higher	90 FPM or Higher
Low Airflow	n/a	n/a	n/a	n/a	Yes	n/a	n/a
Power Consumption	Highest	Low	Low	Low	Low	Lowest	Lowest
VAV Box Design	Recommended	Recommended	Recommended	Not Recommended	Recommended	Recommended	Recommended
BMS Communications	Yes	No	Yes	Yes	Yes	Yes	Yes
Cabinet Styles (* See Notes)	Standard/RSR/RSRE (see back)	Standard/RSR/RSRE (see back)	Standard, RSRE-All* (see back)	Standard/RSR/RSRE/RSRC (see back)	Standard/RSR/RSRE/RSRC (see back)	Standard/RSR/RSRE/RSRC (see back)	Standard/RSR/RSRE (see back)
Diffuser Options	Aluminum/SST	Aluminum/SST	Aluminum/SST	Aluminum/SST	Aluminum/SST	Aluminum/SST	Aluminum/SST
Painted Option	British White	British White	British White	British White	British White	British White	British White
Sheet Rock Adapters	Stainless Steel/White Painted Steel	Stainless Steel/White Painted Steel	White Painted Steel	Stainless Steel/White Painted Steel	Stainless Steel/White Painted Steel	Stainless Steel/White Painted Steel	N/A
Grid Size	1 1/2" or 2" Standard as required	1 1/2" or 2" Standard as required	1 1/2" or 2" Standard as required	1 1/2" or 2" Standard as required	1 1/2" or 2" Standard as required	1 1/2" or 2" Standard as required	1 1/2" or 2" Standard as required
Duct Collars	10" and 12"	10", 12", 14"	10", 12", 14"	10" and 12"	10" and 12"	10", 12", 14"	N/A
Pre-Filter	Standard Foam	Standard Foam/ 2" Pleated	Standard Foam/Optional 2" Pleated	Standard Foam	Standard Foam	Standard Foam/Optional 2" Pleated	Finger Guard
Filter	HEPA/ULPA/Other	HEPA/ULPA/Other	HEPA/ULPA/Other	HEPA/ULPA/Other	HEPA/ULPA/Other	HEPA/ULPA/Other	HEPA/ULPA/Other

* Notes:

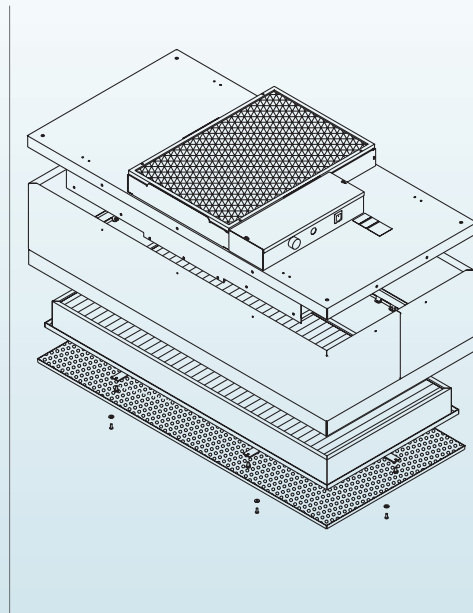
1. SSSC refers to Solid State Speed Control.
2. UCC refers to Universal Control Card for MODBUS RTU network, 0-10VDC analog signal, or manual potentiometer.
3. Modbus RTU (ENAC) Control Card.
4. IR refers to Infrared Control.
5. ECM refers to Electrically Commutated Motor.
6. All Roomside Removable (RSR) units have the RSRE feature of Filter and Motor Blower Removable from Rooms.

■ **Diagrams**

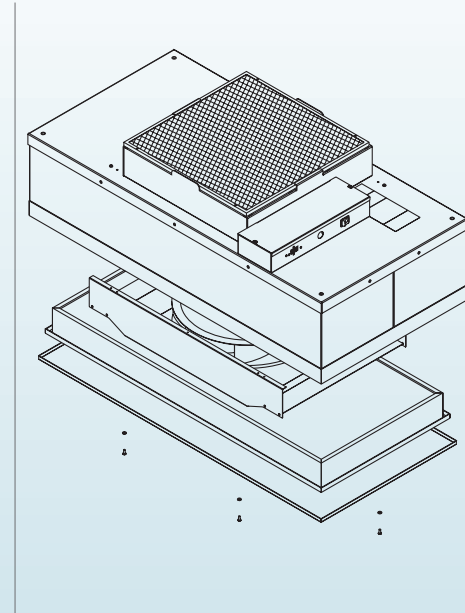
For more information on the MAC 10[®] Series of Fan Filter Units, contact your local representative or simply visit our website at www.envirco.com.



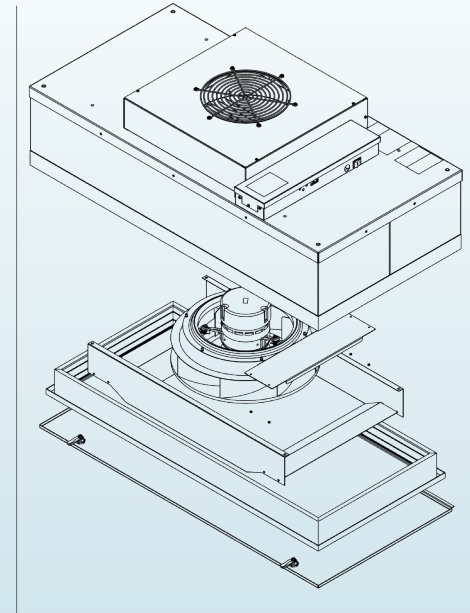
MAC 10[®] Standard Exploded View



MAC 10[®] RSR Exploded View



MAC 10[®] RSRE Exploded View



MAC 10[®] RSRC Exploded View

■ **Configuration**

Available Sizes: 2x2 , 2x3, 2x3.5, 2x4, and 4x4