

PRODUCT DATA SHEET**■ MAC 10[®] LEDC Introduction****A Second Generation FFU**

The MAC 10[®] LEDC features the most control options and the most versatile control system available on the market today, while topping the industry in energy efficiency. The MAC 10 LEDC comes standard with the filter integral with the unit housing, while roomside replaceable filters, motor blower, and now controls are available.

Roomside Replaceable Controls (RSRC)

Roomside replaceable filter, motor assembly, and control card are now available for the MAC 10 LEDC. With the RSRC, the control card is replaceable through the top and roomside. FFUs can be auto programmed with selection of the proper controller. Filters are shipped loose for easy access and replacement.

A Green Product Solution

The MAC 10 LEDC FFU can help provide opportunities to earn LEED* points with its many energy-saving features. *Note: LEED (Leadership in Energy and Environmental Design) is the rating system of US Green Building Council by which building designs are certified.*

By taking advantage of a unique combination of EC motor technology with ENVIRCO's proprietary baffling system and backward inclined fan, the LEDC tops the industry in energy efficiency. Its electronically commutated (EC) motor with internal microprocessor offers high performance and delivers long motor life with energy consumption rates as low as 90W @ 90 fpm. Utilizing ENVIRCO's experience in FFU development, the LEDC also features low sound levels of 52.3 dBA, which are a MAC 10 family benchmark.

ENVIRCO MAC 10 FFUs are used worldwide for a variety of critical clean air applications. Learn more about how you can benefit from the LEDC in your next critical room application. Contact your local ENVIRCO representative or visit us on the web at www.envirco.com.

■ Standard Features

- » New Universal Control Card
 - Network speed control, MODBUS RTU
 - Manual speed control, on-Board potentiometer
 - Analog speed control, remote 0-10V
- » Electronically Commutated (EC) brushless motor with internal microprocessor
- » High Efficiency Particulate Air (HEPA) filter: 99.99% efficient @ 0.3 micron
- » 1.0 in. wg (200 Pa) of external static capability
- » Backward-inclined centrifugal fan
- » Walkable plenum (excluding prefilter), rated to 250 lbs.
- » Washable pre-filter
- » Manufactured to IEST recommended practices
- » Available in 2x2, 2x3, 2x4 and 4x4 sizes
- » cUL listed (115V, 208-240V, 277V) with standard UL 900 filter, file number E152685 (UL507)
- » Mill finished aluminum exterior

■ Optional Features

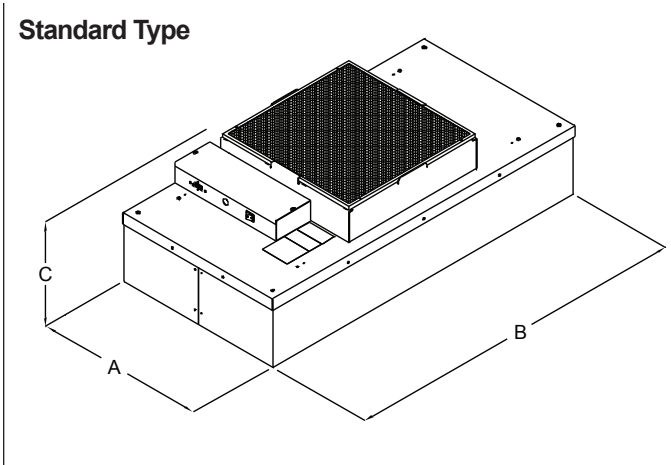
- » Roomside replaceable filter (RSR)
- » Roomside replaceable filter and motor assembly (RSRE)
- » Roomside replaceable filter, motor assembly, and control card (RSRC)
- » Infrared speed control: roomside airflow adjustment with a hand-held remote control
- » Ducted inlet connection (shipped loose)
 - 10" (254 mm)
 - 12" (305 mm)
 - 14" (356 mm)
- » Direct connection to air conditioning supply
- » Flow-through light fixture provides illumination with minimal airflow disruption
- » Powder coat white paint or stainless steel housing
- » Roomside 3/8" challenge ports: convenient aerosol challenge and HEPA filter testing. Standard on RSE, RSRE, and RSRC units.
- » CE certified on 230V units
- » ULPA 99.9995% at 0.12 micron PTFE and low boron
- » 3/4" knife edge: permits easy placement in gel track ceiling grid system (available on RSR, RSRE, and RSRC units only)
- » MERV 8 pre-filter available



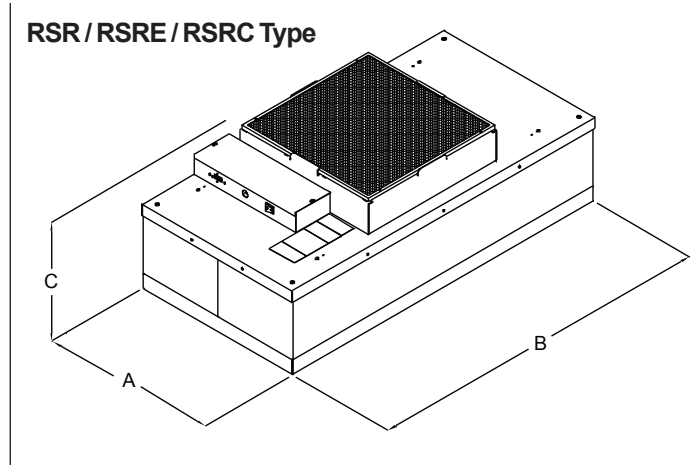
PRODUCT DATA SHEET

■ Dimensions

Standard Type



RSR / RSRE / RSRC Type



■ Performance MAC 10[®] LEDC

Nominal Unit Size	Active Filter Face Area (Sq. Ft.)	Max. CFM	Watts @ Max. CFM	CFM @ 90 FPM	Watts @ 90 FPM	Sound dBA @ 90 FPM	Unit Weight	Dimensions AxBxC (in)
2x4 LEDC	7.2	950	250	650	90	52	66	23.63 x 47.63 x 14.32 (600 x 1210 x 364)
2x3 LEDC	5.3	650	150	470	65	47	52	23.63 x 35.63 x 14.32 (600 x 905 x 364)
2x2 LEDC*	3.5	410	145	315	85	46	41	23.63 x 23.63 x 14.32 (600 x 600 x 364)
2x4 LEDC RSR/RSRE/RSRC	5.3	850	240	477	65	47	71	23.63 x 47.63 x 16.43 (600 x 1210 x 417)
2x3 LEDC RSR/RSRE/RSRC	3.8	650	150	340	45	43	54	23.63 x 35.63 x 16.43 (600 x 905 x 417)
2x2* LEDC RSR/RSRE/RSRC	2.3	350	130	210	50	46	44	23.63 x 23.63 x 16.43 (600 x 600 x 364)

* All 2x2 units will be built with a forward curve fan utilizing the same technology as the MAC10[®] IQ sold today.

Notes:

Performance tested in accordance with the (ANSI/AMCA 210-07), (ANSI/ASHRAE 51-07) test standards for Certified Aerodynamic Performance Rating.

Max CFM rating based on free air volumes @ high speed motor setting.

90 fpm values based on active filter face area. BTU = Watts x 3.413.

MAC 10[®] LEDC:

MAC 10[®] LEDC 115V, 50/60HZ 1 Phase = 2.75 F.L.A., 208-240V 50/60HZ 1 Phase = 1.75 F.L.A., 277V 60 HZ 1 Phase = 1.35 F.L.A.